

Features

- Easy access, installation, and maintenance (No special tools required)
- Highest density in the current market
- High-density tap links (36 links in a 19-inch 1RU Chassis)
- Easy installation with magnet fixture
- The cassette is secured by a magnet fixture
- Front fiber tray provides excellent cable management

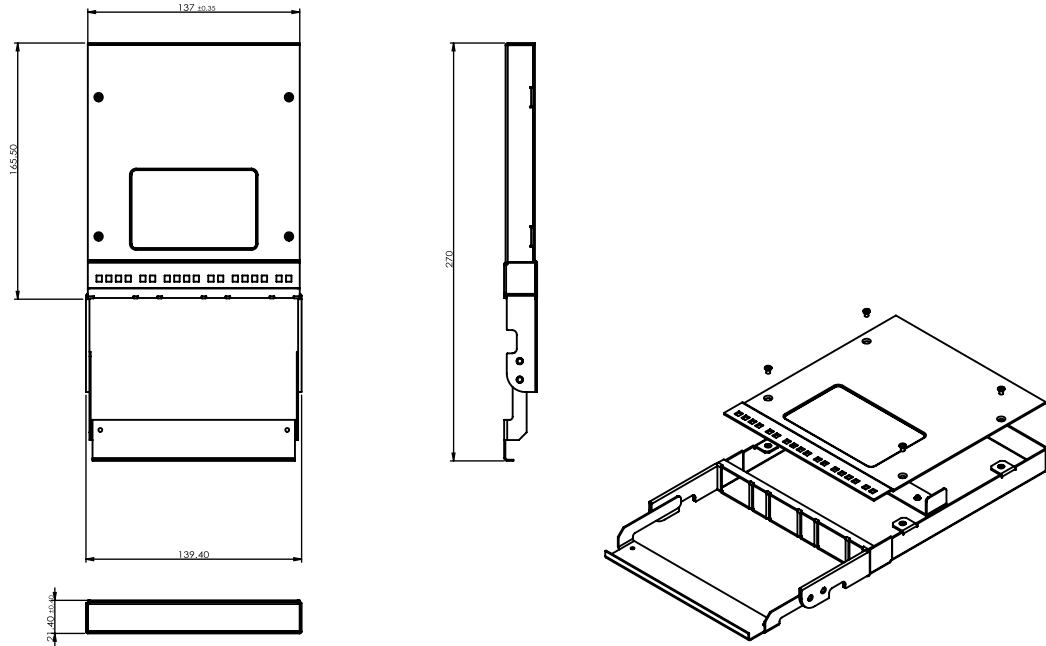
Applications

- Data Center Patch Panel
- Telecom Networks
- Enterprise Networks
- Interconnect and Fiber Optical Cable Management



High-Density Module HD Patch Panel and Cassette

Mechanical Dimensions



OptiWorks Headquarters

OptiWorks, Inc.

47211 Bayside Parkway, Fremont, CA 94538, USA
Phone +1 510 438 4560
sales@optiworks.com
www.optiworks.com

OptiWorks (Kunshan) Co., Ltd.

Phone +86 512 5763 0880
sales_china@optiworks.com

OptiWorks (Shanghai) Co., Ltd.

Phone +86 021 6485 8787
sales_china@optiworks.com

BizLink International Corp.

Phone +886 2 8226 1000
sales_tw@bizlinktech.com