

Transceiver

40G QSFP+ CWDM4 (10km) TRCQ28040CWLR7R



Description

The OptiWorks 40Gbps CWDM4 transceiver is designed for use in 40G Ethernet links for up to 10km reach over duplex single mode fiber. The transceiver is compliant to the QSFP+ MSA, CWDM4 MSA and IEEE 802.3ba. Transceiver monitor, control and digital diagnostics is provided via I2C interface as defined in QSFP+ MSA.

Note: 40G F/W,M-LD

Applications

- 40GbE Data Center Switching and Routing interconnect
- Client interface connectivity for Routing and Transport Networks
- Compatible with IEEE 802.3ba 40GBASE-LR4
- Local Area Network (LAN) and Wide Area Network (WAN)

Key Features

- Hot pluggable QSFP+ form factor
- Two-wire common management interface (SFF-8436 QSFP+ Rev. 4.8)
- CAUI-4 compliant Electrical interface (4 x 10.3125 Gbps)
- Transmission distance up to 10km
- Low power consumption: <3.5W
- Commercial temperature operating up to 70°C
- Duplex LC receptacle for Optical connectivity
- Pull tab based latching mechanism (MSA Compliant blue color)
- Remote firmware upgrade capability using I2C interface



Absolute Maximum Ratings

	Min.	Max.
Storage Temperature	-40°C	+85°C
Operating Case Temperature	0°C	+70°C
Relative Humidity (Non-condensing)	0%	85%
Supply Voltage	-0.5V	+3.6V
Receiver Damage Threshold, Per Lane	+3.5dBm	

Electrical Characteristics

	Min.	Typ.	Max.
Supply Voltage	3.135V		3.465V
Supply Current (@3.3V)			1.09A
Module Total Power			3.5W
Programmable Differential Data Output Per Lane (mVppd) ¹	300mV	800mV	930mV
Programmable Output De-emphasis ²	0dB		7.5dB
Data Output Rise/ Fall Time (20/80%)			20psec
Differential Data Input Per Lane (mVppd)	200mV		1000mV

Note 1: Default factory setting is 800 mV
Note 2: Default factory setting is 0 dB

Optical Transmit & Receive Characteristics

	Value
Signaling speed, each lane	10.3125 ± 100 ppm GBd
Center wavelength range, each Lane	1264.5 to 1277.5/ 1284.5 to 1297.5/ 1304.5 to 1317.5/ 1324.5 to 1337.5 nm
Side-mode suppression ration (SMSR), min	30.0 dB
Total average launch power (max)	8.5 dBm
Average launch power, each lane (max)	2.5 dBm
Average launch power, each lane (min)	-6.5 dBm
Optical Modulation Amplitude (OMA), each lane (max)	2.5 dBm
Optical Modulation Amplitude (OMA), each lane (min)	-4.0 dBm
Transmitter and dispersion penalty (TDP), each lane (max)	3.0 dB
Launch power in OMA – TDP (min)	-5.0 dBm
Average launch power in OFF transmitter, each lane (max)	-30.0 dBm
Extinction ratio (min)	3.5 dB
Transmitter and Dispersion Eye Closure (TDEC, max)	3 dB
Vertical Eye Closure Penalty (VECP, max)	3.5 dB
Tx Power Monitor Accuracy	±1.5 dB
Transmitter reflectance (max)	-12.0 dB
Optical return loss tolerance (max)	20.0 dB
Receiver damage threshold, each lane (min)	3.5 dBm
Average receive power, each lane (max)	2.5 dBm
Average receive power, each lane (min)	-12.8 dBm
Receive power, each lane (OMA) (max)	2.5 dBm
Receiver sensitivity (OMA), each lane (max)	-11.3 dBm
Stressed receiver sensitivity (OMA), each lane (max)	-8.9 dBm
Rx Power Monitor Accuracy	±1.5 dB
Receiver reflectance (max)	-26.0 dB

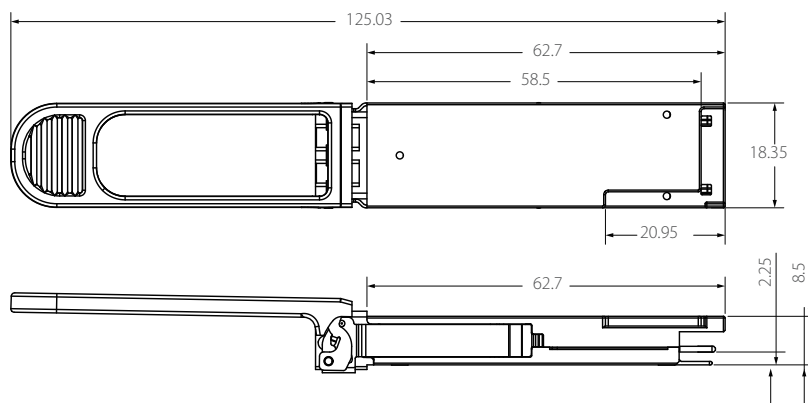
Transceiver

40G QSFP+ CWDM4 (10km) TRCQ28040CWLR7R

FEC Requirements

The host system is required to enable RS FEC in accordance with Clause 91 of IEEE 802.3bj.

Dimensions



Unit: mm

References

- SFF-8665, Specification for QSFP+ 28 Gb/s 4X Pluggable Transceiver Solution (QSFP28), Rev 1.9, June 29 2015
- SFF-8636, Specification for Management Interface for Cabled Environments, Rev2.7, January 26 2016
- SFF-8661, Specification for QSFP+ 4X Pluggable Module, Rev 2.3, September 2014
- SFF-8679, Specification for QSFP+ 4X Base Electrical Specification, Rev 1.7, August 2014
- IEEE 802.3ba Clause 87, Physical Medium Dependent (PMD) sublayer and medium, type 40GBASE-LR4
- 100G CWDM4 MSA Technical Specifications, 2km optical specifications, Rev1.1, November 23 2015

OptiWorks Headquarters

OptiWorks, Inc.

47211 Bayside Parkway, Fremont, CA 94538, USA
Phone +1 510 438 4560
sales@optiworks.com
www.optiworks.com

OptiWorks (Kunshan) Co., Ltd.

No. 168, Nanhe Rd., Kunshan Economic & Technology
Development Zone, Kunshan City, Jiangsu 215300, China
Phone +86 512 5763 0863
contact@optiworks.com

© 2020 BizLink Group. All rights reserved.
BizLink, OptiWorks, and other trademarks are the trademarks of BizLink Group or its subsidiaries.
Performance is based on target specifications, simulated results, and/or prototype measurements. Commitment to develop is not guaranteed.
Specifications are subject to change without prior notice. August 2020

OptiWorks (Shanghai) Co., Ltd.

Room 810-811, Changchun Business Building,
No. 953 Qinzhou North Road, Shanghai 200233, China
Phone +86 021 6485 8787
contact@optiworks.com