

DC Charging Coupler



Combo1
CCS1



DC Charging



Type 3R

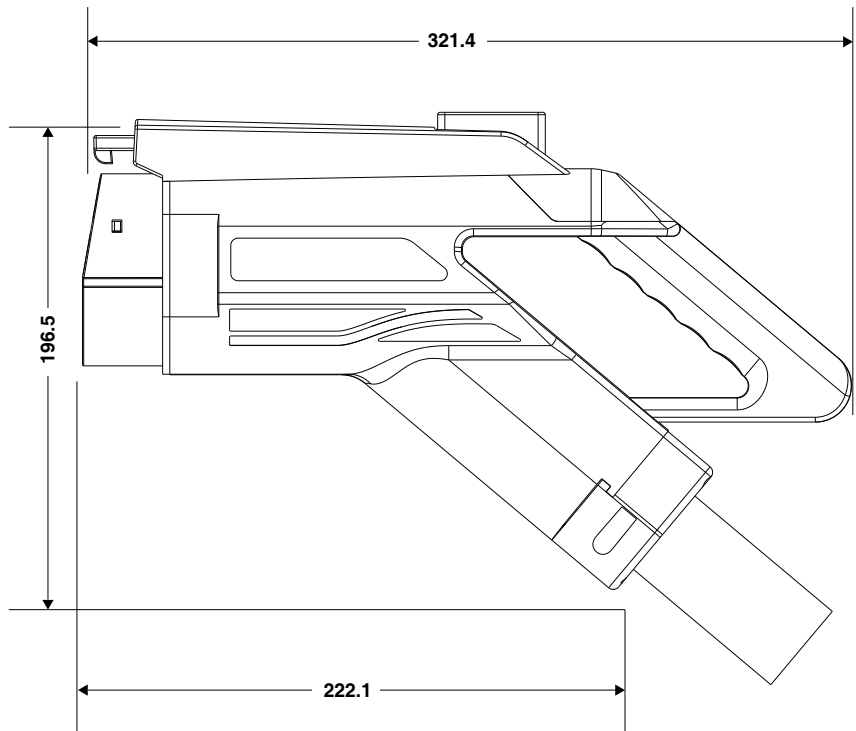
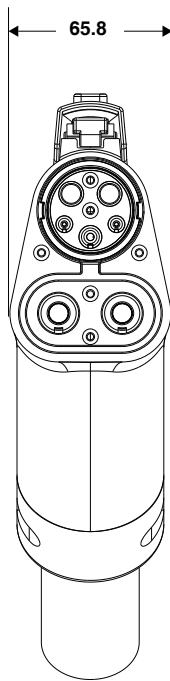
- Logo customization
- User-friendly ergonomic design
- Built-in sensors for temperature monitoring
- Silver plating for electronic connectors



DC Charging Coupler CCS Type 1

Dimensions

CCS1



Technical Specification

CCS Coupler Model	CCS1(80A)	CCS1(125A)	CCS1(150A)	CCS1(200A)	CCS1(300A)
Electrical Characteristic					
Rated current	80A	125A	150A	200A	300A
Number of power contacts	3 (PE, DC+, DC-)				
Temperature monitor	PT1000 x 2				
Rated voltage	1000V DC				
Mechanical Characteristic					
Insertion force	< 100N				
Withdrawal	< 100N				
Mating cycle	>10,000				
Environment protection	NEMA Type-3R				
Ambient Conditions					
Temperature(operation)	-30°C ~ 50°C				
Temperature	-40°C ~ 80°C (storage/transportation)				
Coupler standard	UL2251				
Coupler UL certification	In progress	In progress	In progress	UL certified (UL No.E534019)	In progress
Cable Characteristic					
Rated temperature	-40°C ~ 105°C				
Cable length	8M (Custom lengths available upon request)				
Cable weight	1.35kg/M	1.93kg/M	2.25kg/M	2.5kg/M	3.14kg/M
Cable construction	2Cx4AWG+1Cx 6AWG+8Cx18AWG	2Cx1AWG+1Cx 6AWG+8Cx18AWG	2Cx1/0AWG+1Cx 6AWG+8Cx18AWG	2Cx2/0AWG+1Cx 6AWG+8Cx18AWG	4Cx1AWG+1Cx 6AWG+8Cx18AWG
Cable outer diameter	31.5±1mm	35.6±1mm	38.0±1mm	40.0±1mm	43.0±1mm
Conductor resistance (at 20°C ambient temp)	0.00088Ω/m	0.00044Ω/m	0.00035Ω/m	0.00027Ω/m	0.00044Ω/m
Flame test	VW1 Test method comply with UL2556				
Min bending radius	6 x overall diameter				
Dielectric voltage	Specialized voltage(AC) for cores/1 min, no breakdown test method comply with UL 2556				
Cold bending	-40°C/4h, No cracks test method comply with UL 2556				
Heat shock resistance	150°C/1h, No cracks test method comply with UL 2556				
Oil resistance	IRM902, 60°Cx168h				
Crush resistance	Crush force ≥ 4.45kN@ main core ≤ 12AW Crush force ≥ 11.1kN@ 2 main core > 12AWG Crush force ≥ 15.6kN@ main core > 2AWG				
Weather resistance	720h in a xenon arc weatherometer, no cracks				
Deformation	150°C/1h, The insulation and sheath decrease by less than 30% in thickness				
Cold flexibility	40°C/8h				
Environmental requirements	Compliant with RoHS 2.0 and REACH				
Cable standard	UL62				
Cable UL certification	In progress	In progress	In progress	UL certified (UL No.E524955)	In progress



Headquarters

BizLink Technology, Inc.
47211 Bayside Parkway, Fremont, CA 94538, USA
Phone +1 510 252 0786 sales@bizlinktech.com

Global Sales Contacts

USA	sales@bizlinktech.com	Japan	sales_japan@bizlinktech.com
Europe	sales_europe@bizlinktech.com	Malaysia	sales_malaysia@bizlinktech.com
China	sales_gc@bizlinktech.com	Taiwan	sales_tw@bizlinktech.com
India	sales_india@bizlinktech.com		