

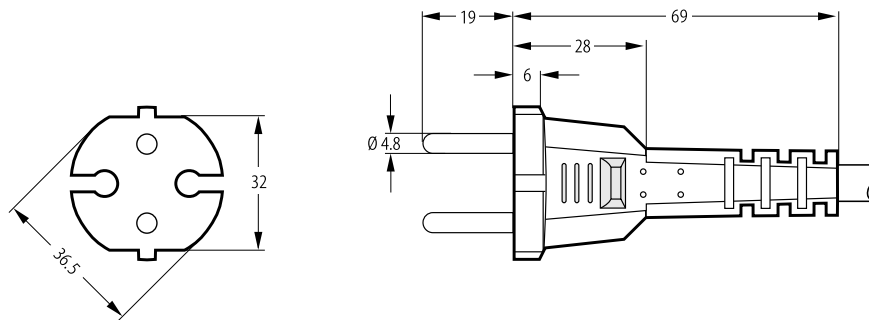
Key Features

- Plug for safety class II
- 2-pole plug for heavy power tools
- IEC 60884-1, SS XVII-CEE 7
- 16 A, 250 V~

Approvals



Technical drawing



Suitable flexible cord types

H07RN-F

2 x 1

H07RN-F

2 x 1.5

Headquarters

BizLink Technology, Inc.

47211 Bayside Parkway, Fremont, CA 94538, USA

Global Sales Contacts

BizLink Technology (Belgium) N.V.

Kempische Steenweg 293 Bus 10, 3500 Hasselt, Belgium

Phone +32 11 260 260

ea_info@bizlinktech.com

