



R-Type (Cable Mount)

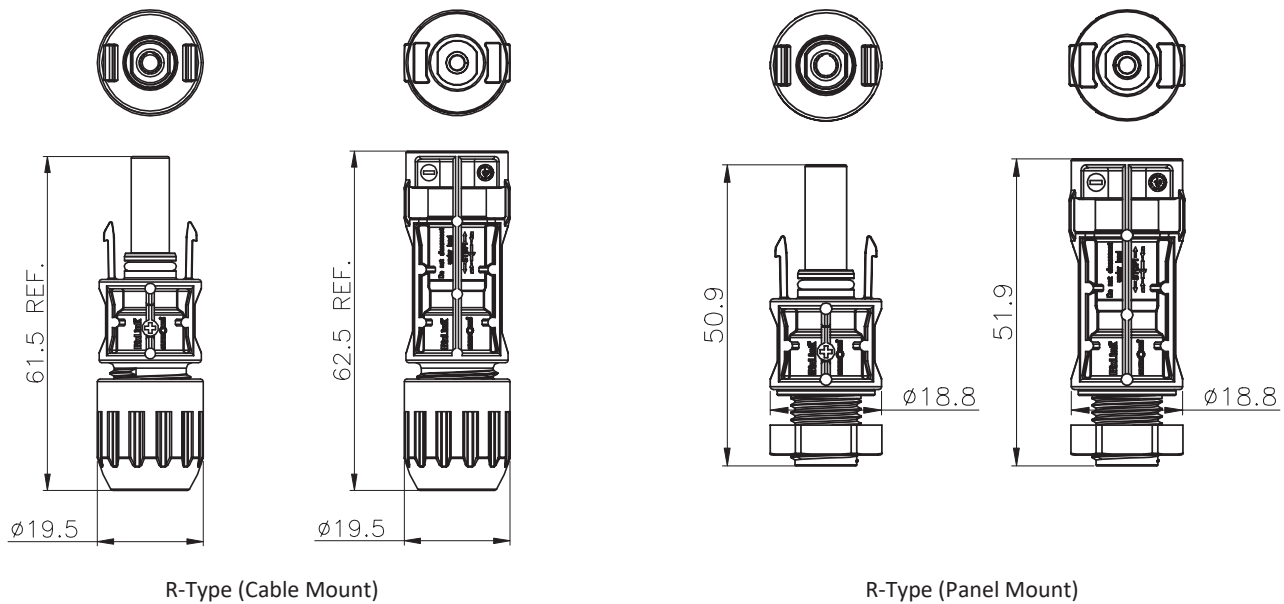
R-Type (Panel Mount)

BALART
GEPÜFT
TYPE
APPROVED

- IP68 (1m, 24hrs) protection to withstand harsh weather like storm, floods or salt pollution
- Suitable for popular cable size and wider cable O.D. range
- Pre-assembled in-house, saves labor time and cost in field, and reduces loss cause by poor workmanship



Dimensions



Unit: mm

Specifications

S418 R-Type

Connector Type	Outward Lock, Snap-In
Rated Voltage	IEC/UL 1000V/1500V
Rated Current (TUV) *under specified condition	30 A for 2.5mm ² 40 A for 4.0mm ² 50 A for 6.0mm ² 70 A for 10.0mm ²
Rated Current (UL)	15 A for 14 AWG 20 A for 12 AWG 30 A for 10 AWG 50 A for 8AWG
Contact Resistance (Mating)	10-14AWG/2.5-6.0mm ² : Typical \leq 0.3 m Ω 8AWG/10mm ² : Typical \leq 0.2 m Ω
Operation Ambient Temperature	-40°C ~ +90°C
Protection Degree	IP68 (1M/24Hrs)
Insulating Material	PPE
Terminal Material	Tin Plated Copper Alloy
Suitable Cable O.D.	A Type: 4.50mm-7.20mm B Type: 7.21mm-8.80mm
Flammability Class	UL94 V-0
UL Certification	UL6703 UL Certificate No. E343184
IEC Certification	IEC62852 TUV Certificate No. R 50483804



Headquarters

BizLink Technology, Inc.
47211 Bayside Parkway, Fremont, CA 94538, USA
Phone +1 510 252 0786 sales@bizlinktech.com

Global Sales Contacts

USA sales@bizlinktech.com
Europe sales@bizlinktech.com
China sales_gc@bizlinktech.com
India sales_india@bizlinktech.com

Japan sales_japan@bizlinktech.com
Malaysia sales_malaysia@bizlinktech.com
Taiwan sales_tw@bizlinktech.com