

Key Features

- Low insertion loss
- Standard ITU channel
- High channel isolation
- Epoxy-Free optical path
- Stable performance

Applications

- CWDM System
- CATV networks



Parameter Specifications

Parameters	1 Channels	4 Channels	8 Channels	16 Channels	Units
Insertion Loss (Add/Drop)	≤0.7	≤1.8	≤2.8	≤3.8	dB
Ripple	≤0.5	≤0.5	≤0.5	≤0.5	dB
Polarization Dependent Loss	≤0.2	≤0.2	≤0.2	≤0.2	dB
Dimension	80 x 58 x 8	80 x 58 x 8	100 x 80 x 10	120 x 80 x 18	mm
Channel Center Wavelengths	1271 - 1611				nm
Channel Spacing	20				nm
Channel Passband	$\lambda_c \pm 6.5$				nm
Isolation-Adjacent	≥30				dB
Isolation-Non-adjacent	≥40				dB
Return Loss	≥45				dB
Directivity	≥50				dB

Notes:

1. The above specs exclude connector loss, each pair of connector adds 0.2dB

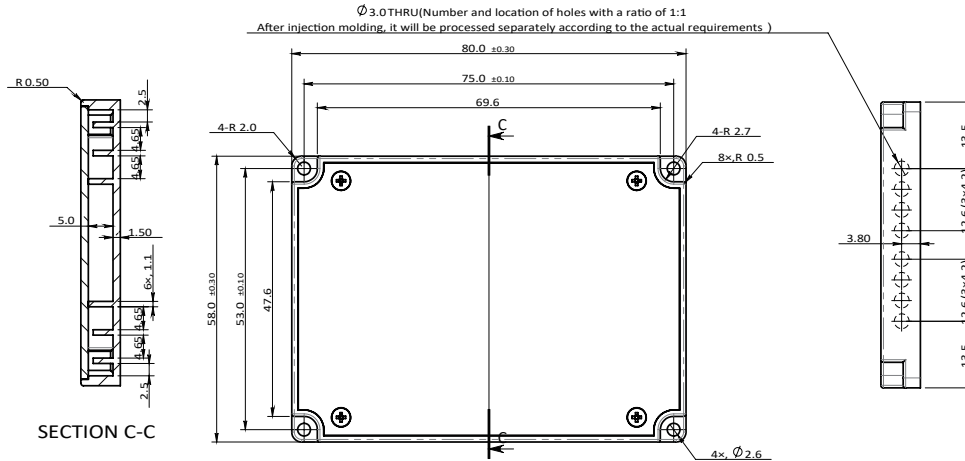
Operating Conditions

Parameters	Specification	Units
Maximum Power handling	500	mW
Operating Temperature*	-5 ~ +70	°C
Storage Temperature	-40 ~ +85	°C
Operation Humidity	5 to 95 % Relative Humidity	

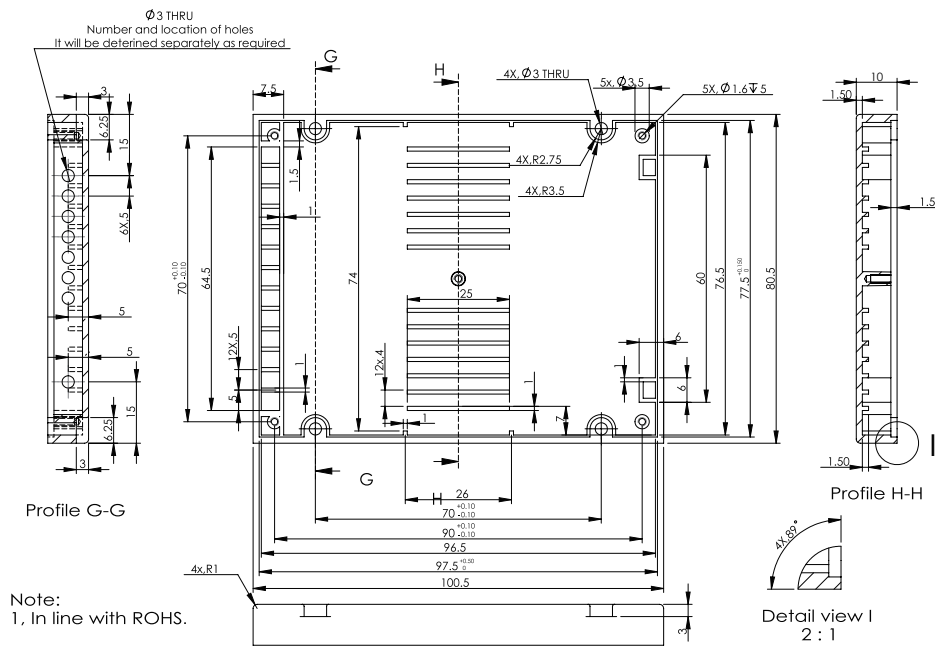
* Contact us for your Industrial temperature application.

Mechanical Dimensions

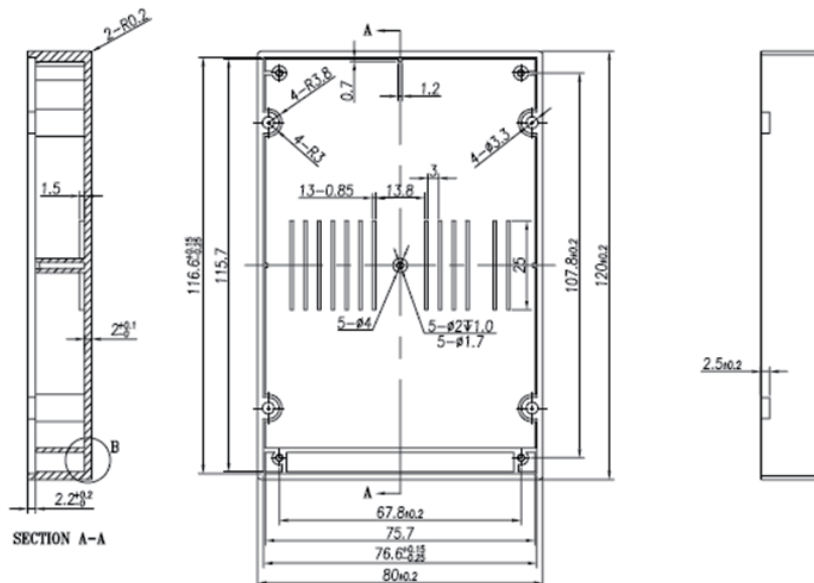
4CH CWDM



8CH CWDM



16CH CWDM



Unit: mm

Part Number Scheme: CWDM Modules



Configuration

- M = Mux
- D = DeMux
- O = Single fiber OADM
- P = Dual fiber OADM
- C = Mux&DeMux

Channels

- 01 = 1-Channel
- 04 = 4-Channel
- 08 = 8-Channel
- 16 = 16-Channel

Fiber Type

- A = SM F28e⁺
- B = XB G657 A1

Jacket Type

- A = 250 um
- B = 900 um
- C = 2 mm
- D = 3 mm

Fiber Length

- 10 = 1.0 m
- 15 = 1.5 m
- 30 = 3.0 m
- mn = m.n meters

Start Channel

- 27 = 1271 47 = 1471
- 29 = 1291 49 = 1491
- 31 = 1311 51 = 1511
- 33 = 1331 53 = 1531
- 35 = 1351 55 = 1551
- 37 = 1371 57 = 1571
- 39 = 1391 59 = 1591
- 41 = 1411 61 = 1611
- 43 = 1431
- 45 = 1451

Package Type

- 0 = No SS Tube
- S = Single Tube
- L = Aluminium
- A = ABS
- G = LGX

Connector Type

- 0 = None M = MTP 12P
- 2 = FC/UPC N = MTP 24P
- 3 = FC/APC O = MPO 12P
- 4 = SC/UPC P = MPO 24P
- 5 = SC/APC H = MU/UPC
- 6 = ST/UPC X = Customized
- 7 = LC/UPC
- 8 = LC/APC